




BLOCO SOLAR ULTRA | ULTRA PLUS

HEATING | DOMESTIC HOT WATER
ECONOMY | COMFORT | ECOLOGY


 SOLAR PERFORMANCE

 SIMPLE INSTALLATION
"PLUG AND USE"

 INDOOR UNIT
REQUIRES
SMALL SPACE (<1M²)

 INTEGRATED DHW DEPOSIT
(SOLAR BLOCK ULTRA PLUS)
OF 200 LITERS IN
AISI 316L STAINLESS STEEL

 DHW PRODUCTION UP TO 70°C
IN HEAT PUMP MODE
THROUGH HEAT RECOVERY

 MAXIMUM DISTANCE BETWEEN
INTERIOR UNIT AND
OUTSIDE UP TO 20M



DC INVERTER
TECHNOLOGY

CAREL
DISPLAY

SOFT
START
SYSTEM

HYDRAULIC
KIT
INCLUDED

COMPLETE
VERSATILITY

A NEW CONCEPT OF SOLAR HEAT PUMP

The ULTRA SOLAR BLOCK is an all-in-one solution. A Thermodynamic Solar Heat Pump built to the highest standards of quality with outstanding performance. With a compact design, it performs Central Heating and produces Domestic Hot Water, using the latest DC Inverter technology. ErP Ready.

TECHNICAL FEATURES

INSIDE UNIT		ULTRA 12	ULTRA PLUS 12	ULTRA 16	ULTRA PLUS 16
Heating Capacity ⁽¹⁾	Power supplied	kW	5 - 19		8 - 26
	Maximum power supplied	kW	18,70		25,8
Heating Capacity ⁽²⁾	Nominal power supplied	kW	10,30		16,2
	Nominal consumption	kW	2,15		3,45
	COP	kW	4,80		4,7
Heating Energy Class			A++		A++
Dimensions	HxWxD	cm	106X60X80	195x60x80	106X60X80
Weight		Kg	115	243	115
Maximum temperature		°C		60	
Hydraulic Connections	Inlet/Outlet			1" M	
Domestic Hot Water ⁽³⁾	Tank	L	-	200	-
	Material		-	INOX AISI 316L	-
	Temp. max. (compressor only)	°C	-	70	-
	Electrical backup	W	-	1500	-
	Water connections	Cold / Hot	-	3/4" M	-
	COP DHW ⁽³⁾		-	3,27	-
	Tapping profile		-	L	-
	Efficiency	%	-	138	-
	Energy Class DHW		-	A+	-
Refrigerant	Type			R410A	
	Preload	Kg		3,5	
Connections	Liquid			1/2"	
	Steam			3/4"	
Sound pressure	(distance 10m)	dBa		65	
Electrical Supply	Type			230V or 400 V	
	Electric cable	230V mm ²		3G6	
	400V mm ²		5G4		
	Protection Circuit Breaker	230V		46A	
		400V		32A	

OUTSIDE UNIT - SOLAR PANELS

Number		12		16
Dimensions	HxWxD	mm	200x800x20	
Weight		Kg	8	
Type			Passive Solar Evaporator	
Material			Anodized aluminum	

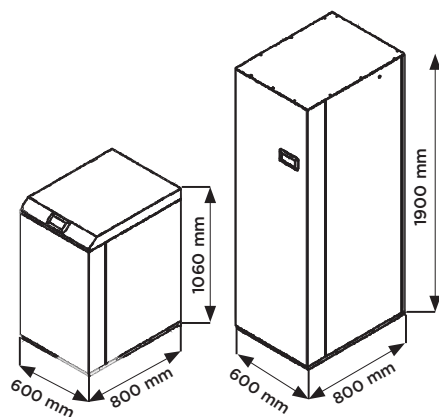
CONNECTION BETWEEN UNITS

Maximum nominal distance	m	20
Maximum Drop	m	15

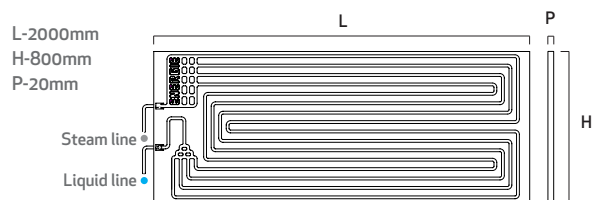
⁽¹⁾ According to EN14511; Air temperature DB/WB 14°C/13°C; Water temperature inlet/outlet 30°C/35°C; Solar radiation 800w/m² | ⁽²⁾ According to EN14511; Air temperature DB/WB 7°C/6°C; Water temperature inlet/outlet 30°C/35°C; Solar radiation 400w/m² | ⁽³⁾ According to EN 16147, A 14 / W 10-54

TECHNICAL DRAWING

INSIDE UNIT



SOLAR PANELS



X12 or x16



More detailed information on energie.pt



Follow us on
ENERGIE PORTUGAL

Authorized Dealer

Address Zona Industrial de Laúndos, Lote 48
4570-311 Laúndos - Póvoa de Varzim PORTUGAL
GPS Coordinates N 41 27.215', W 8 43.669'
Telephone + 351 252 600 230

Fax + 351 252 600 239
E-mail geral@energie.pt
Website www.energie.pt

Project co-financed by:



This catalogue was created for information purposes only and does not constitute a contractual offer from ENERGIE Est Lda. ENERGIE Est Lda has compiled the content of this catalogue to the best of their knowledge. There is no guarantee expressed or implied regarding the completeness, accuracy, reliability for a particular purpose of its content and the products and services presented therein. Specifications are subject to change without notice. The ENERGIE Est Lda explicitly rejects any direct or indirect damage, in the broadest sense, arising from or related to the use and / or interpretation of this catalogue.

RoVo/02/2019