

# HYDROKIT

## BUFFER TANK FOR HEATING & COOLING



**BUFFER TANK FOR HEATING AND COOLING,**  
COMPATIBLE WITH ALL BRANDS OF HEAT PUMPS.



# HYDROKIT

## BUFFER TANK FOR HEATING & COOLING

ENERGIE buffer tanks store thermal energy, in the form of hot or cold water, for heating and cooling systems using heat pumps. This helps heat pumps operate less frequently, leading to lower energy consumption and reduced costs. Buffer tanks also provide a readily available reserve of hot or cold water, resulting in more consistent comfort and potentially extending the lifespan of your heat pump.

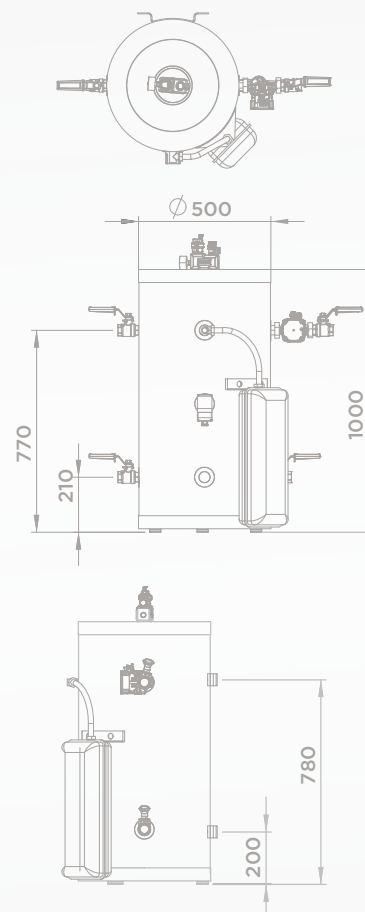
ENERGIE buffer tanks come pre-integrated with key components like pumps, valves, and expansion vessel, streamlining the installation process and saving installers up to 20% of their time.

### PORTUGUESE MANUFACTURING

- 100 litre stainless steel tank
- 10 litre expansion vessel
- Grundfos circulation pump
- Caleffi Technopolymer instrument holder collector
  - Safety valve
  - Purge Valve
  - Pressure gauge
- Immersion thermostat
- Wall-mounted installation (optional)
- 1" shut-off valves
- " drain valve
- High Density Polyurethane Thermal Insulation



See warranty conditions



### TECHNICAL DATA

### HYDROKIT 100L

Nominal Capacity	L	100
Cylinder dimensions	mm	Ø500x1000
Max working pressure cylinder	Bar	6
Max running temperature cylinder	°C	80
Thermal insulation	W/m.k	0,025
Insulation density	kg/m <sup>3</sup>	46
Static heat losses	W	35
Energy efficiency class		B
Net weight	Kg	33
Insulation (Thickness)	mm	60
Circulator flow <sub>(H1)= 7,5m(H2)= 5,5m(H3)= 3m</sub>	m <sup>3</sup> /h	<sub>(H1)-1,0(H2)-1,9(H3)-3,0</sub>
Hydraulic connections	Pol.	1"

Project co-financed by:



Zona Industrial de Laúndos  
Lote 48, 4570-311 Laúndos  
Póvoa de Varzim, Portugal  
**EMAIL** [energie@energie.pt](mailto:energie@energie.pt)  
**SITE** [www.energie.pt](http://www.energie.pt)

Follow us on:

**ENERGIE PORTUGAL**



Authorized dealer